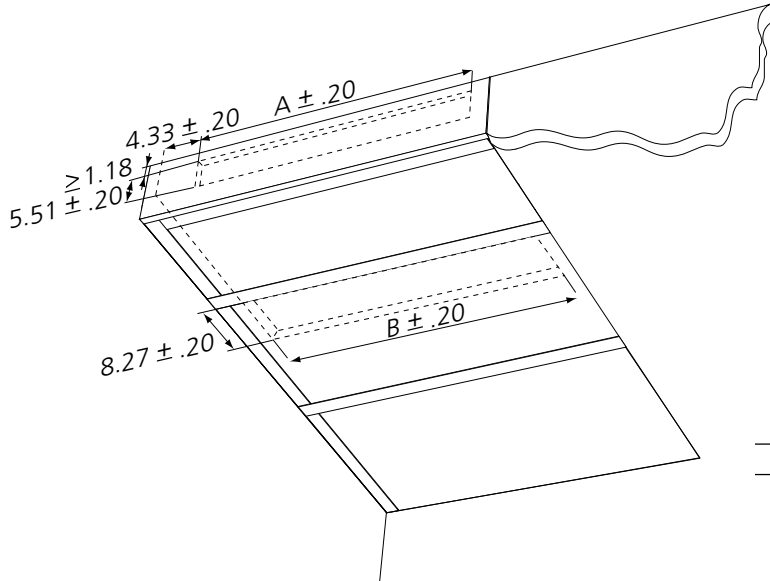


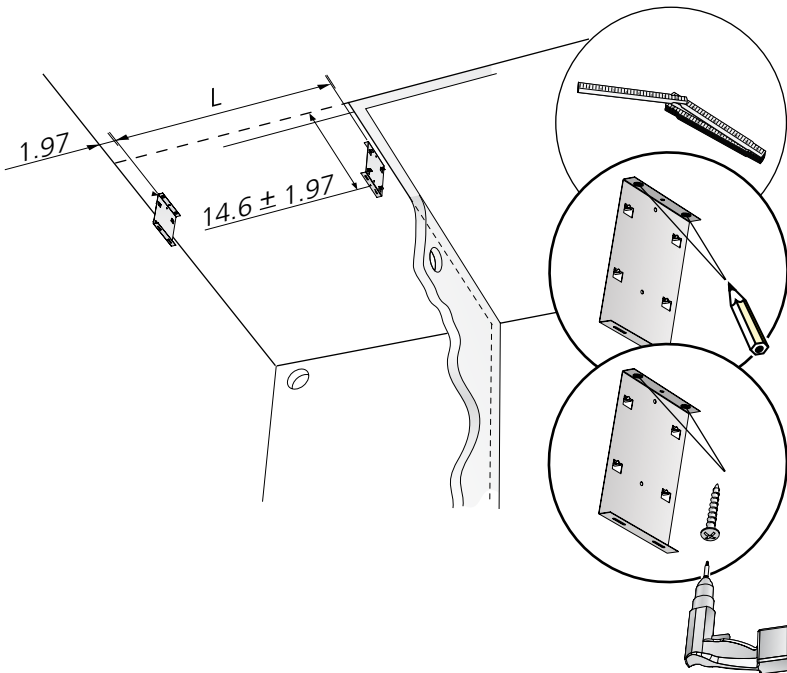
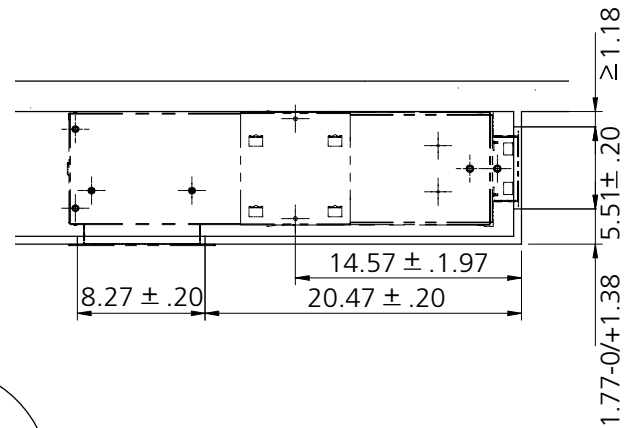
PARAGON

Installation - Commissioning - Maintenance

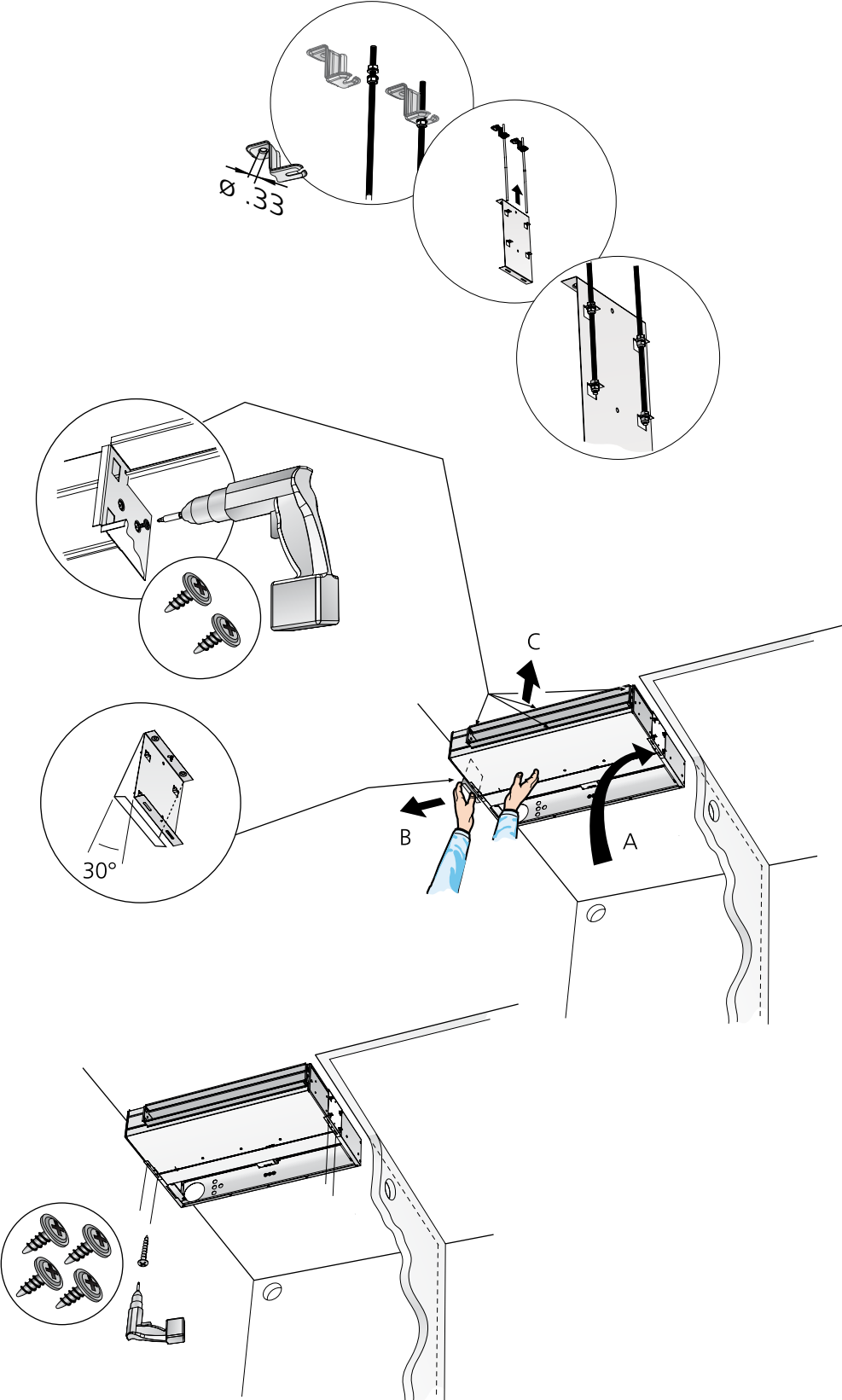
2012-06-01

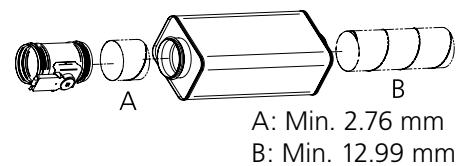
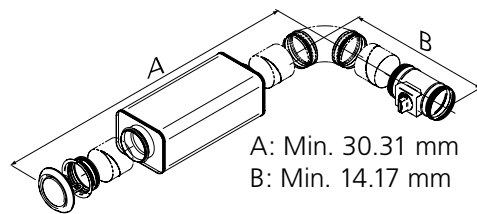
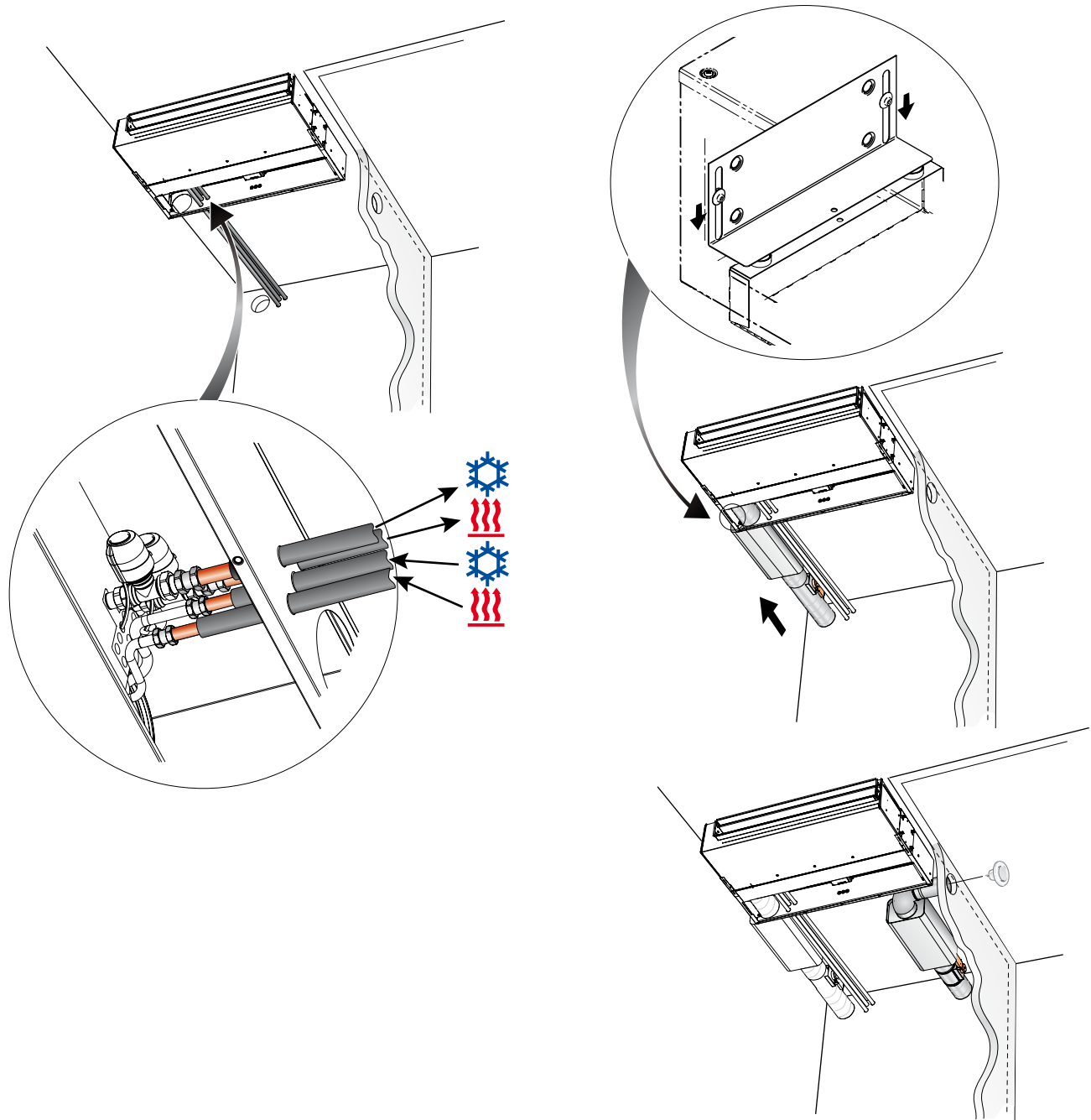


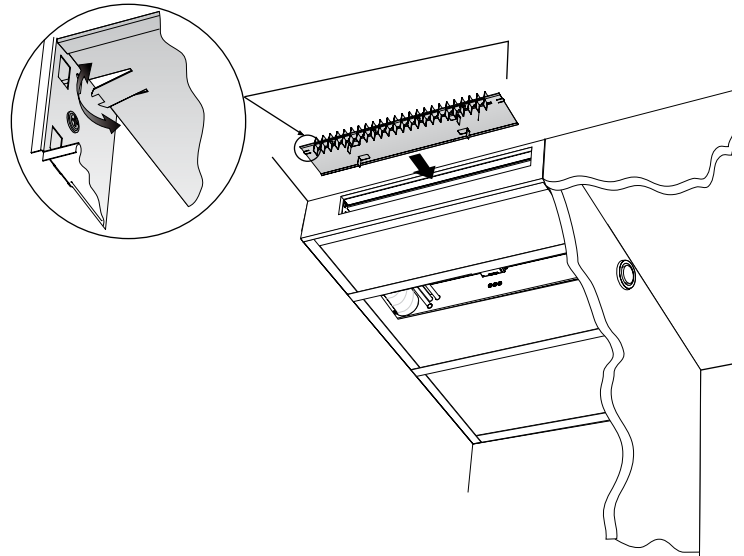
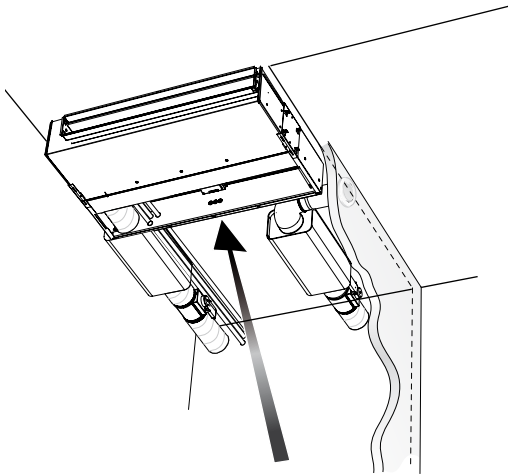
| Size | L | A | B |
|------|------|------|------|
| 900 | 35.4 | 30.5 | 34.3 |
| 1100 | 43.3 | 38.4 | 42.1 |
| 1300 | 51.2 | 46.3 | 50.0 |
| 1500 | 59.1 | 54.1 | 57.9 |



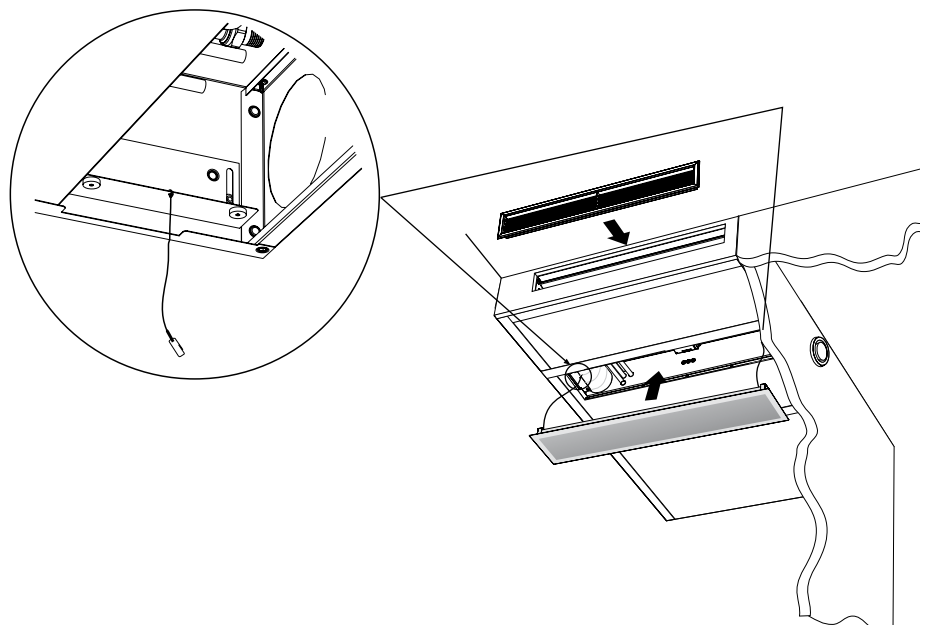
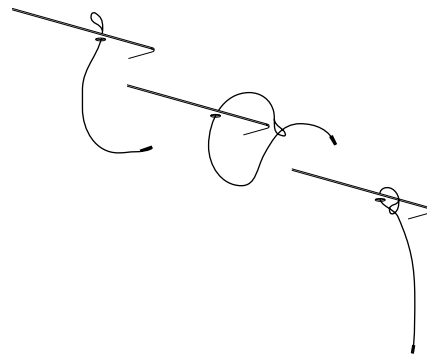
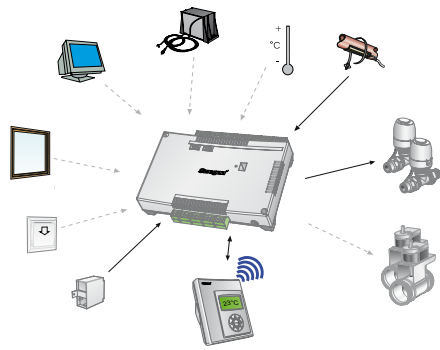
PARAGON







CONDUCTOR W4



PARAGON

Installation - Commissioning - Maintenance

2012-06-01

1.

Room 203
PARAGON 51.2 (1300)
46,6 cfm

2.

PARAGON 51.2 (1300)

| Device | Device size | Leakage rate | Flow | Sound power |
|--------|-------------|--------------|------|-------------|
| 500 | 50-150 Pa | 15,8-18,4 | 1,5 | L/L |
| 500 | 50-150 Pa | 12-20,8 | 1,7 | L/M |
| 500 | 50-150 Pa | 10,4-20,1 | 1,80 | M/M |
| 500 | 50-150 Pa | 9,8-20 | 2,07 | L/L |
| 500 | 50-150 Pa | 10,7-21,5 | 2,07 | M/M |
| 500 | 50-150 Pa | 22,8-26,7 | 2,04 | M/M |
| 1300 | 50-150 Pa | 19,7-22,8 | 1,94 | L/L |
| 1300 | 50-150 Pa | 15,3-18,4 | 2,16 | L/M |

q=34,7-69,5 cfm
k=77,5
Nozzle=L/L

3.

4.

PARAGON

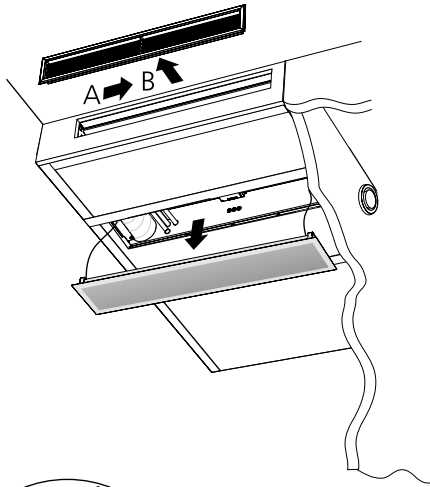
| Length (in) | pi (in wg) | Airflow (cfm) | K _{pl} | Nozzle |
|-------------|-------------|---------------|-----------------|--------|
| 35.4 | 0.201-0.804 | 22.5-44.9 | 50.2 | L / L |
| 35.4 | 0.201-0.804 | 25.4-50.9 | 56.7 | L / M |
| 35.4 | 0.201-0.804 | 28.4-56.6 | 63.2 | M / M |
| 35.4 | 0.201-0.804 | 35.6-71.0 | 79.4 | L / H |
| 35.4 | 0.201-0.804 | 38.6-76.9 | 85.9 | M / H |
| 35.4 | 0.201-0.804 | 48.5-97.0 | 108.5 | H / H |
| 43.3 | 0.201-0.804 | 29.0-58.1 | 64.9 | L / L |
| 43.3 | 0.201-0.804 | 32.8-65.7 | 73.3 | L / M |
| 43.3 | 0.201-0.804 | 36.7-73.1 | 81.7 | M / M |
| 43.3 | 0.201-0.804 | 46.0-92.0 | 102.5 | L / H |
| 43.3 | 0.201-0.804 | 49.8-99.6 | 110.9 | M / H |
| 43.3 | 0.201-0.804 | 62.7-125.6 | 140.2 | H / H |
| 51.2 | 0.201-0.804 | 34.7-69.5 | 77.5 | L / L |
| 51.2 | 0.201-0.804 | 39.2-78.6 | 87.5 | L / M |
| 51.2 | 0.201-0.804 | 43.6-87.5 | 97.5 | M / M |
| 51.2 | 0.201-0.804 | 54.9-109.8 | 122.4 | L / H |
| 51.2 | 0.201-0.804 | 59.3-118.7 | 132.4 | M / H |
| 51.2 | 0.201-0.804 | 75.0-149.8 | 167.3 | H / H |
| 59.1 | 0.201-0.804 | 29.5-59.1 | 65.9 | L / L |
| 59.1 | 0.201-0.804 | 39.8-79.7 | 89 | L / M |
| 59.1 | 0.201-0.804 | 50.2-100.4 | 112.1 | M / M |
| 59.1 | 0.201-0.804 | 53.2-106.4 | 118.6 | L / H |
| 59.1 | 0.201-0.804 | 63.6-127.1 | 141.7 | M / H |
| 59.1 | 0.201-0.804 | 76.7-153.4 | 171.3 | H / H |

PARAGON

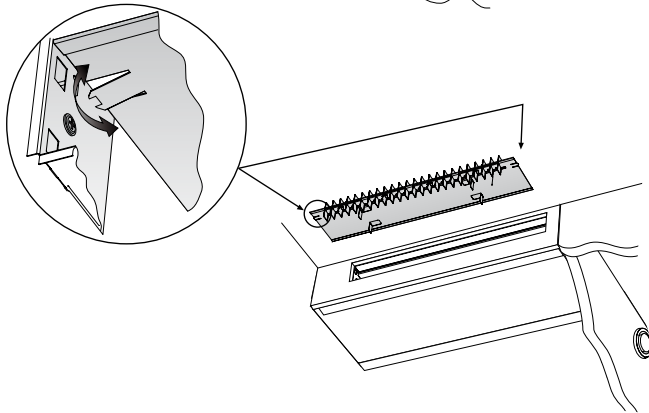
Installation - Commissioning - Maintenance

2012-06-01

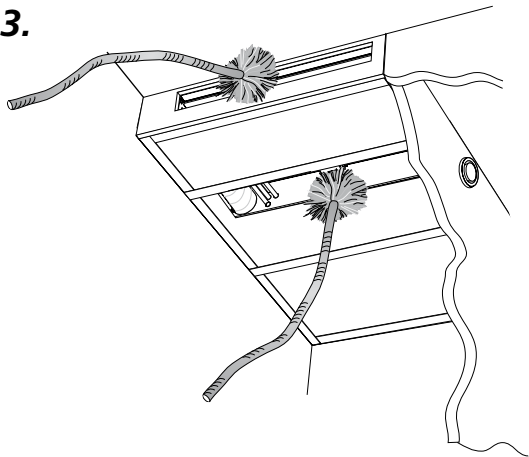
1.



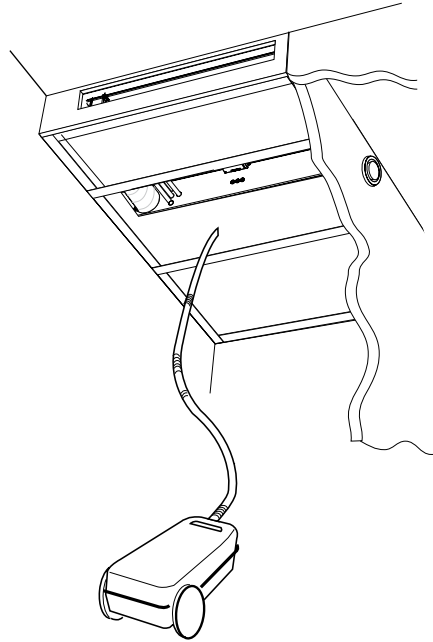
2.



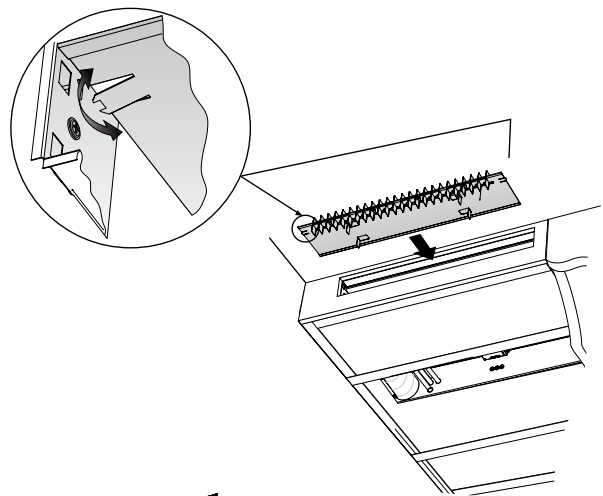
3.



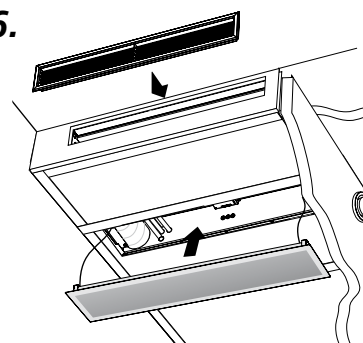
4.



5.



6.



PARAGON